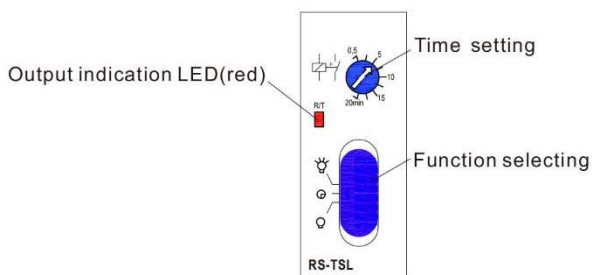




□ Main technical data

Rated supply voltage	AC230VAC, 50/60Hz
Type of contact	1NO(AgNi)
Rated current(Ith)	10A
Power consumption	≤1.5VA
Incandescent lamp load	2000W
Fluorescent lamp load, lead-lag circuit	1000W
Fluorescent lamp load, inductive-capacitive	1000W
Fluorescent lamp load, parallel compensated	650W
Inductive load, cos φ= 0,6@230V	650W
Electrical life	10 ⁵
Mechanical life	10 ⁶
Timing range	0.5m~20m
Setting accuracy	≤5%
Repetition accuracy	≤0.2%
Maximum load of illuminated switch	50mA
Reset time	≥200ms
Altitude	≤2000m
Protection degree	IP20
Pollution degree	3
Ambient temperature	-5°C~+40°C
Storage temperature	-25°C~+75°C

□ Front-face panel



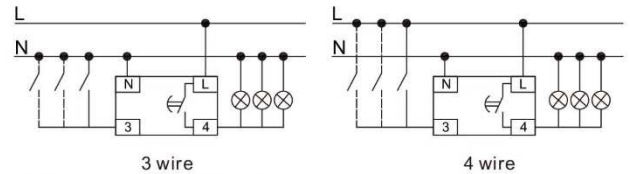
□ Function diagram



□ Features

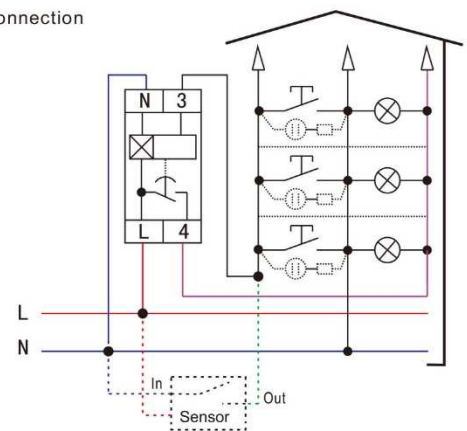
- Microcontroller based
- Modular design, 18mm wide housing
- Possibility of 3wire or 4wire connection
- ON, OFF, AUTO three operation modes
- Repetition accuracy ≤0.2%
- LED indication for relay status
- DIN-Rail mounting

□ Wiring diagrams

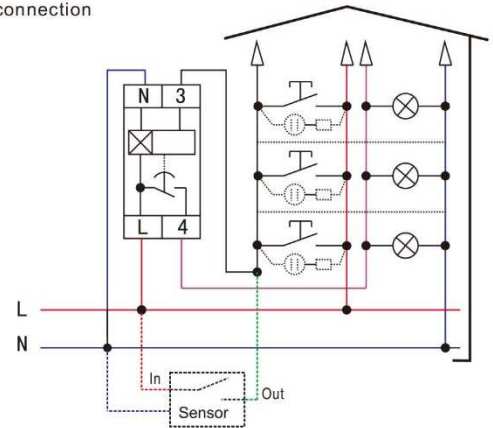


□ Example of application

3 wire connection



4 wire connection



□ Dimensions

