

Monitoring of 1-phase supply voltage
Separate adjustments of minimum and maximum limits
1- or 2-pole relay output
DC supply or AC supplies up to 230 VAC
Made in accordance with the CE and EMC regulations



The C-mac[®] module type RP10 monitors its own 1-phase supply voltage and checks that it is within the adjusted minimum and maximum limits, and in that case, the output relay is activated.
 The module can operate from 80% to 120% of the nominal supply voltage.

Technical data:

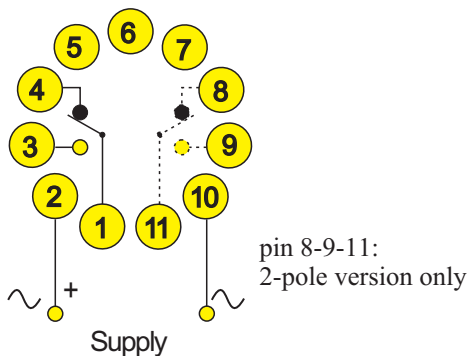
- Supply voltage:** 24 VDC, 24 VAC, 115 VAC or 230 VAC +/- 20%
- Power consumption:** 2,5 VA
- Operation temp.:** -20°C til +60°C
- Humidity:** 0 - 90% RH, non-condensing
- Adjustments:**
 - Upper limit: Potentiometer, 105 to 120%.
 - Lower limit: Potentiometer, 80 to 95%
- Hysteresis:** 1% of the nominal supply.
- Indications:**
 - Green LED: Supply voltage connected
 - Red LED: Relay active
- Max. load, relay:**
 - 1-pole: 8 A - 250 VAC
 - 2-pole: 5 A - 250 VAC, ohmic load

EMC and safety regulations.

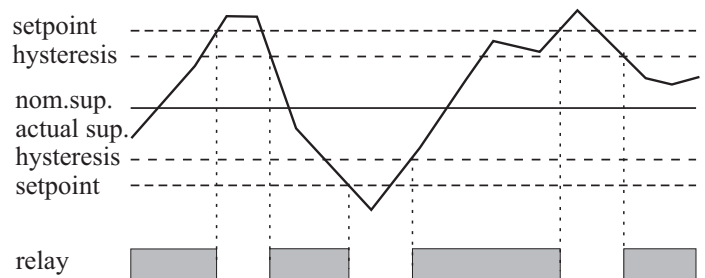
- Emmission:** EN 50 081 - 1
- Immunity:** EN 50 082 - 2
- Safety:** EN 60 730

Approvals: The units are produced in accordance with the CE and low voltage regulations.

Connections:



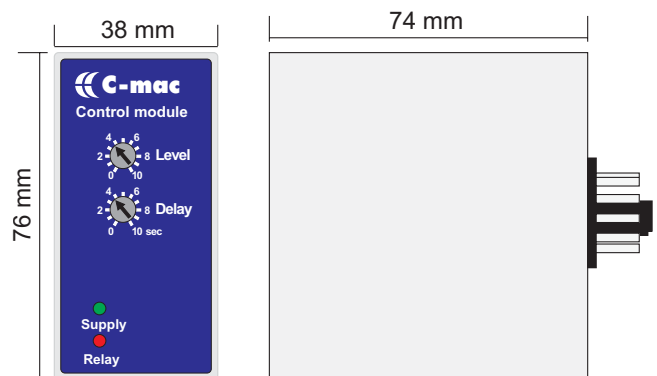
Functional diagram:



Ordering guide:

Supply	Type no.
24 VDC	RP10-x-0-024
24 VAC	RP10-x-1-024
115 VAC	RP10-x-1-115
230 VAC	RP10-x-1-230
x = output relay:	1 = 1-pole
	2 = 2-pole

Mechanical dimensions:



Materials and weight:

- Housing:** NORYL-SE-1, grey, self-extinguishing
- Housing bottom:** NORYL SE-1, GFN-2, black, self-extinguishing
- Terminals:** Nickel-plated brass
- Weight:** 110 g