

- Current and voltage inputs
- Separate zero and span adjustment
- Supply voltage 9-36 VDC / 9-26 VAC
- Galvanic isolation between supply and internal electronics
- Red or green LED display
- Selectable display brightness*
- 24 V voltage output



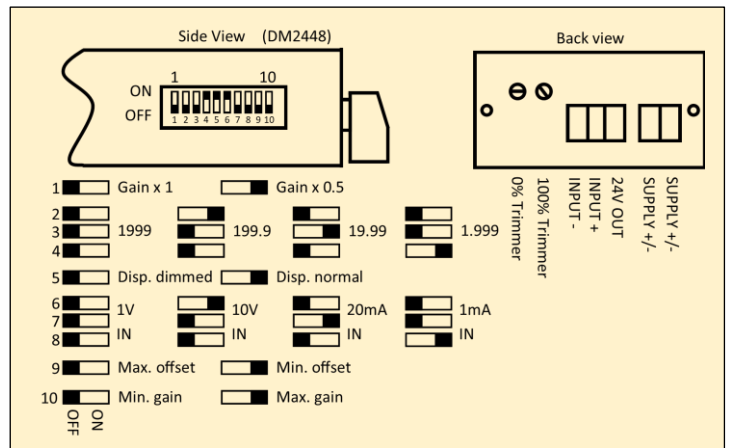
C-mac® modules DM2448 and DM4896 panel instruments, have identical electrical data and functions, but different mechanical dimensions and digit size.

Technical data	
Supply voltage:	9-36 VDC / 9-26 VAC The supply is galvanically isolated from the internal electronics
Isolation voltage:	1,5 kV
Power consumption:	Up to ~2W
Operating temperature:	-10°C to +50°C
Humidity:	0 – 90% RH, non-condensing
Ingress protection:	IP 44
Temp. coefficient:	<0,01%FS / °C
Linearity:	+/- 1 count
Display range:	-1999 to 1999
Metering ranges:	0-10 V, 0-1 V, 0-20 mA, 0-1 mA
Voltage output:	24 VDC, 25 mA
Outside range:	Display shows "1 "
Input impedance:	Voltage metering: > 100 kΩ
	Current metering: 20mA: typ. 75Ω 1mA: 1kΩ
Connections:	Screw terminals, max 1,5 mm ²

Individual specifications		
Type		
DM2448	Dimensions (H x W x D)	24 x 48 x 95 mm
	Panel cut-out (H x W)	22 x 45 mm
	Digit size	10 mm
DM4896	Dimensions (H x W x D)	48 x 96 x 95 mm
	Panel cut-out (H x W)	45 x 92 mm
	Digit size	20 mm

*: For green displays, the difference is very small. We recommend leaving the brightness on normal.

Connections and calibration



- 1: Set metering range with switch 6, 7, 8
- 2: Set approx. gain and offset with switch 1, 9, 10
- 3: Apply minimum signal and adjust 0% trimmer until display shows the desired value
- 4: Apply maximum signal and adjust 100% trimmer until display shows the desired value
- 5: Check minimum display and repeat steps 3-4 if necessary
- 6: Set display brightness with switch 5 and comma with switch 2, 3, 4

Ordering guide

Size:	Color:
DM2448	-R (Red display)
DM4896	-G (green display)
Example: DM4896-R = 48 x 96 mm with red display	

EMC and safety regulations

Emission:	EN50081-1
Immunity:	EN50082-2
Safety:	EN60730

Materials and weight:

Enclosure:	NORYL SE-1, GFN-2, black
Clamps:	Tin-plated copper alloy
Weight:	DM2448: 60 g DM4896: 160 g

