

RC12/RV12 Current/voltage relay

Datasheet



- RC12: Current relay from 4mA to 8A AC/DC
- RV12: Voltage relay from 0,4 V to 650V AC/DC
- 3 measuring ranges in each module
- Adjustment for setpoint and hysteresis
- Setting for relay inverting, time delay, AC/DC mode
- 1-pole relay, 8A/250VAC
- DC supply or AC supplies up to 230 VAC



C-mac® RC12/RV12 are universal Current measuring relays and voltage measuring relays. Each are supplied with 3 measuring ranges, and measures both DC and AC.

The input range is chosen by use of the app input terminal, while choice of AC- or DC-measuring is made by connecting terminal 8 to common terminal 7.

The output relay can either pull or fall off when the measuring signal exceeds the setpoint. This function is chosen from a switch at the bottom of the module.

By AC-metering the average value is measured, and the level adjustment is then calibrated to the r.m.s. value of a sinusoidal signal.

Technical data:

Supply voltage:	230V AC 40-70Hz
Galvanic separation:	For AC-option
Isolation voltage:	2,5kV
Consumption:	2,5 VA
Working temperature:	-20°C to +60°C
Indikator:	
Green LED:	Supply connected
Red LED:	Relay activated
Red LED:	Setpoint exceeded
Settings:	
Level:	Scala 0,4-6
Hysteresis:	Scala 5-50 %
Time delay:	Scala 0-10 sec.
Scale accuracy:	5 %
Relay output:	1-pole 8A/250V
Emmision:	EN50081-1
Immunity:	EN50082-2
Safety:	EN60730

Module types:

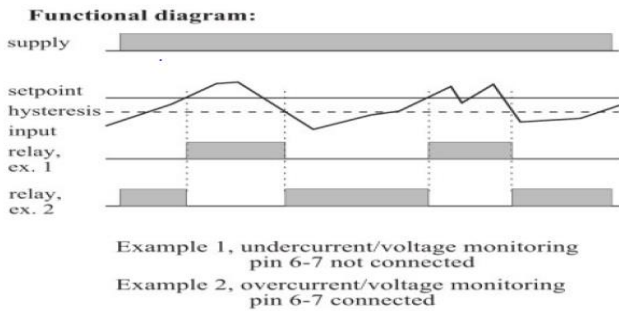
Relay-funktion	Measuring ranges	Max. value	Resistor
RC12	4 – 60 mA	200 mA	3,5 Ω
RC12	40 – 600 mA	800 mA	0,35 Ω
RC12	0,4 – 6A	8A	0,0033 Ω
RV12	0,4 – 6 V	50 V	11k Ω
RV12	4 – 60 V	150 V	111 k Ω
RV12	40 – 600 V	650 V	1,11M Ω

RC12/RV12 Current/voltage relay

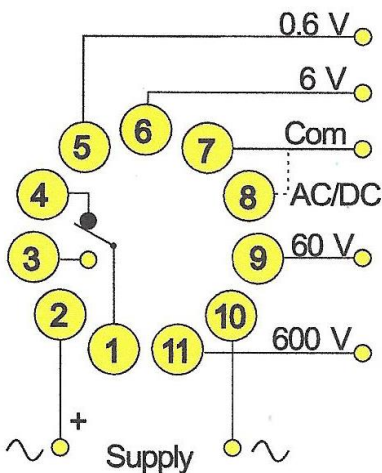
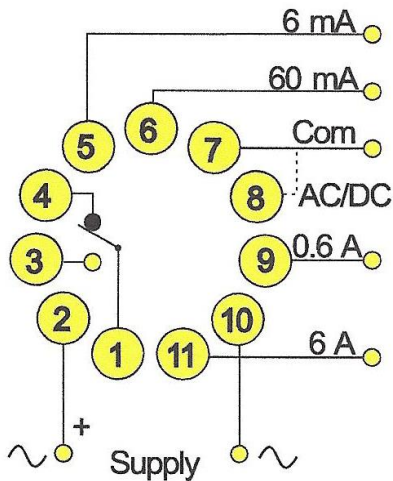
Datasheet



Funktional diagram:



Connections:



DC-metering:

Connect pin 7-8

Ordering guide RC12:

Supply:	Type number:
12-50VDC	RC12-1-4-012
48-250VDC	RC12-1-4-048
24VDC	RC12-1-0-024
24VAC	RC12-1-1-024
48VDC	RC12-1-1-048
115VAC	RC12-1-1-115
120VAC	RC12-1-1-120
230VAC	RC12-1-1-230
240VDC	RC12-1-1-240

Ordering guide RV12:

Supply:	Type number:
12-50VDC	RV12-1-4-012
48-250VDC	RV12-1-4-048
24VDC	RV12-1-0-024
24VAC	RV12-1-1-024
48VDC	RV12-1-1-048
115VAC	RV12-1-1-115
120VAC	RV12-1-1-120
230VAC	RV12-1-1-230
240VDC	RV12-1-1-240

